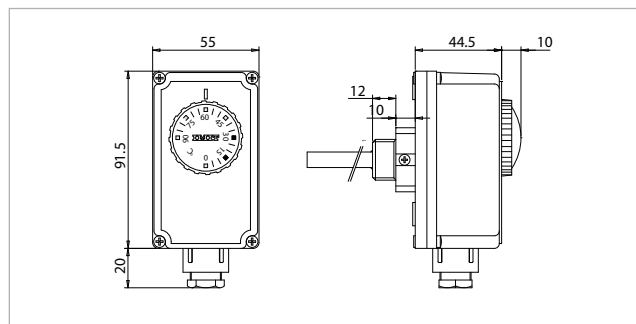


TC2 REGULATION THERMOSTAT IN IP40 CONTAINER

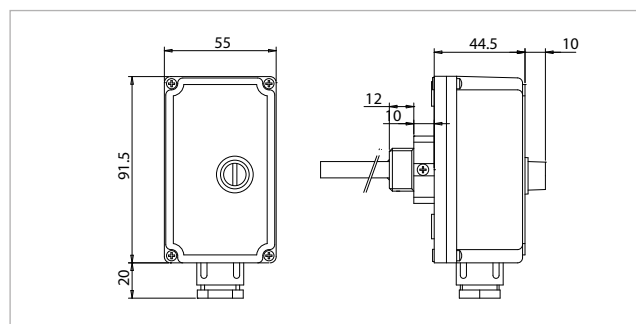


TC2 is a boxed immersion thermostat with liquid expansion, unipolar, with changeover switches, complete with a watertight protection pocket. The thermostat normally applied on delivery piping is particularly suitable for the automatic regulation of boilers, pumps and other various appliances. It is also available in a capillary version.

Electrical contact capacity = 10(2,5) A / 250 Vac
 Switches = interrupted due to temperature increase or exchange
 Max. head temperature = 80°C
 Max. bulb temperature = 125°C
 Thermal gradient = 1°K/min
 Protection rating = IP40
 Certifications = CE, ENEC03, DIN, PED, EAC

Code	Article	Description	Pack.
5R2470	TC2 INAIL	Adjustable thermostat 0/90°C, Pocket G1/2" L=100	10
542425	TC2 INAIL	Adjustable thermostat 0/90°C, Pocket G1/2" L=200	10
542441	TC2	Adjustable thermostat 40/210°C, Pocket G1/2" L=100	10
542440	TC2	Adjustable thermostat 40/210°C, Pocket G1/2" L=200	10
542562	TC2 INAIL	Adjustable thermostat 0/90°C, Capillary L=1000	10

LSC1 SAFETY LIMITER IN IP40 CONTAINER



LSC1 is a boxed immersion thermostat, with liquid expansion probe, unipolar, safety temperature limiter with manual reset, fail-safe for capillary breakage, complete with watertight protection pocket. Useful in appliances where safety is required due to the temperature increase.

Electrical contact capacity = 10(2,5) A / 250 Vac
 Switches = interrupted due to temperature increase
 Thermal gradient = 1°K/min
 Max. head temperature = 80°C
 Max. bulb temperature = 125°C
 Protection rating = IP40
 Certifications = CE, ENEC03, DIN, PED, EAC

Code	Article	Description	Pack.
543010	LSC1	Safety thermostat 90/110°C, Pocket G1/2" L=120 Manual reset	10
543031	LSC1 INAIL	Safety thermostat 100°C, Pocket G1/2" L=100 Manual reset	10
543151	LSC1	Safety thermostat 90/110°C, Perforated pocket L=230 Manual reset	20